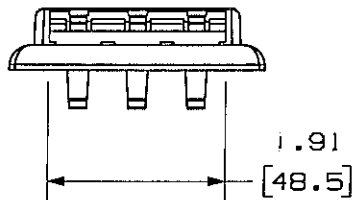
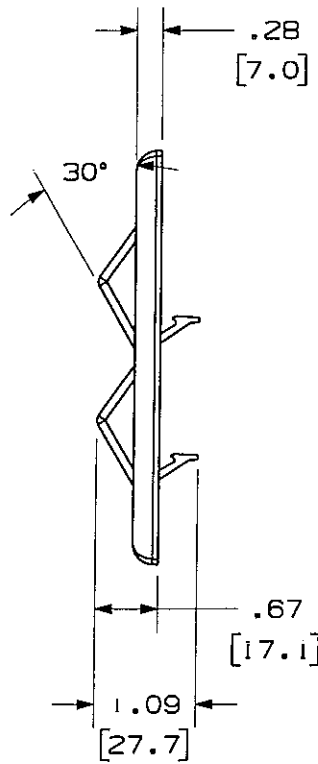
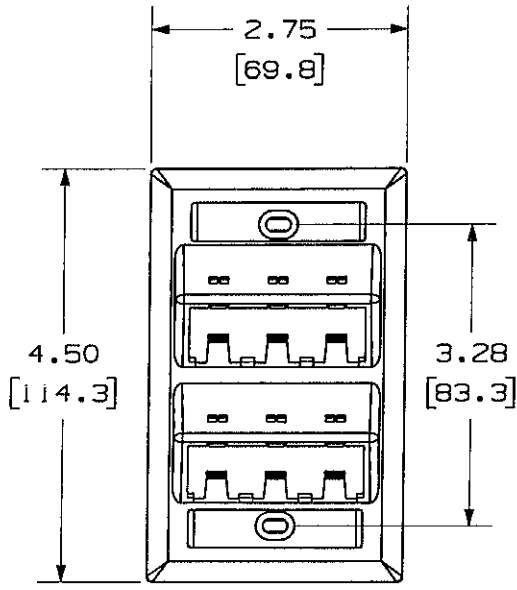
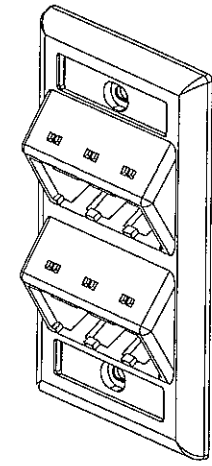


THIS COPY IS PROVIDED ON A RESTRICTED BASIS AND IS NOT TO BE USED IN ANY WAY DETRIMENTAL TO THE INTERESTS OF PANDUIT CORP.

PANDUIT P/N	WEIGHT
CFPSL6**Y	.48 LB/10 PCS. (218.0 G/10 PCS.)



- NOTES:
- \*\*1. SEE CURRENT CATALOG FOR ADDITIONAL PART NUMBER SUFFIXES TO INDICATE COLOR AND OR PACKAGE QUANTITY.
  - SEE CATALOG FOR COMPLETE LIST OF PARTS APPLICABLE FOR USE WITH THIS PART.
  - PART INCLUDES:
    - 1- FACEPLATE
    - 2- MOUNTING SCREWS
    - 2- LABEL
    - 2- LABEL COVER
  - DIMENSIONS IN PARENTHESIS ARE IN METRIC.



NETWORK SYSTEMS  
MAY 25 2006  
ENGINEERING DEPT

MODEL FILENAME	M01328BA_CFPSL6_01.PRT	SIZE	A
DRAWING FILENAME	M02479E1_DC115_00A.PRT		

MINI-COM 6 POSITION VERTICAL SLOPED FACEPLATE WITH LABEL/COVERS  
CUSTOMER DRAWING

<p>PANDUIT® CORP. TINLEY PARK, IL 60477</p>	I.I. NUMBER	N/A
	PRODUCT SPEC	N/A
<p>THIRD ANGLE PROJECTION</p>	WORK INSTRUCTION	N/A
	SCALE	FULL
<p>ALL DIMENSIONS ARE GIVEN IN INCHES, UNLESS OTHERWISE SPECIFIED.</p> <p>DIMENSIONAL TOLERANCES ARE:                  (.X) ±.03    (.XXX) ±.005                  (.XX) ±.01    ANGLES ± 1°</p>	PART NO.	CFPSL6**Y
<p>DRAWN BY: JsP</p> <p>DATE: 3-11-06</p> <p>MATERIAL: ABS</p>	DRAWING NO.	02479-115

REV	DATE	BY	CHK	DESCRIPTION	ECN	R	CUST	SUP	OTH
R	3-11-06	JsP	<i>JsP</i>	RELEASED TO PRODUCTION	02479-115				